

Sept 2020

INSTALLATION METHOD FOR KHAYAFLEX (DIY) TILES



THE FOLLOWING TOOLS WILL BE REQUIRED:

- | | |
|---|---------------------------------|
| A pencil | - for marking |
| A metal or wood straight edge | - for straight cuts |
| Some string and a piece of coloured chalk | - for striking chalk lines |
| A broom | - for a clean sub-floor |
| A measuring tape | - for setting out |
| A notched adhesive trowel | - for spreading adhesive evenly |
| A safety knife | - for cutting tiles |

Before laying, ensure that all the tile packs bear the same colour code and batch numbers.

These tiles are for **Residential applications only**.

Do not lay Khayaflex Tiles over wooden floors.

SUB-FLOOR PREPARATION

Rough and uneven sub-floors must be repaired using FloorworX Pavelite in conjunction with FloorworX No 33 Bonding Liquid. Follow the instructions on the packaging respectively. (Note Pavelite is a smoothing compound and will not render any undulations in the subfloor. For optimum results use a reliable self-levelling cementitious compound).

ADHESIVE COVERAGE

Every litre of FloorworX No. 62 Acrylic Adhesive will cover approximately 5,0m² to 5,5m² of floor area depending on the porosity of the subfloor.

1. SETTING OUT THE INSTALLATION

The floor should be swept or preferably vacuumed, to remove all dust and dirt. It should be hard, dry, level and smooth.

If it is not smooth apply FloorworX Pavelite in accordance with the instructions on the packaging.

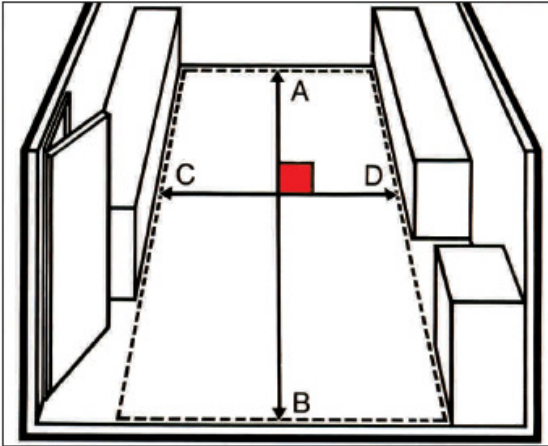


Fig.1

1.1 To obtain the best results, laying should commence from the centre of the floor. Strike a chalk line parallel to the longest wall, **A-B** along the centre of the sub-floor. Strike a second chalk line at right angles to the first, **C-D**.

1.2 Check that the border tiles to be “cut-in” around the perimeter of the floor are at least half a tile wide.

Refer to Fig 1

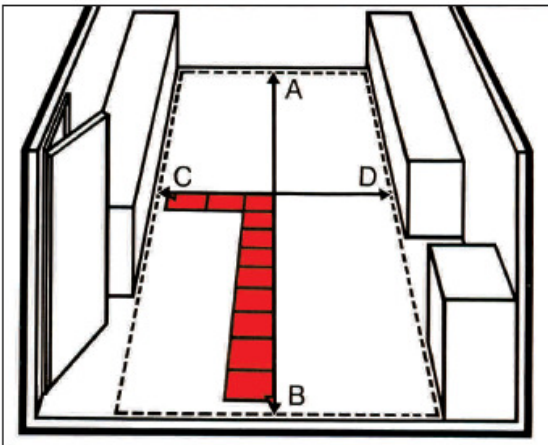


Fig 2

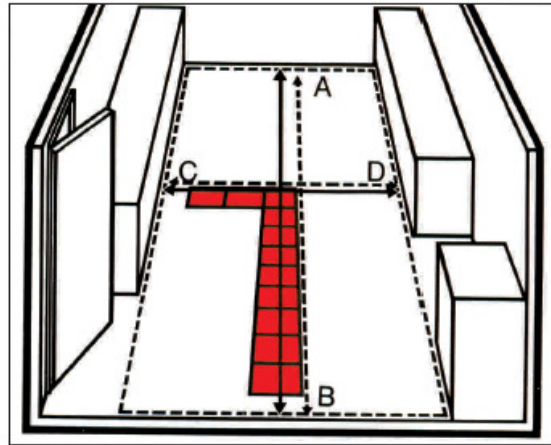


Fig 3

1.3 If the gap between the wall and the last full tile is less than half a tile in width, mark a new chalk line parallel to the original chalk line **A-B**, one half tile width away. **Refer to Fig 2.**

1.4 Repeat step 1.3 with the other wall and mark a new chalk line parallel to the original **C-D**. **Refer to Fig 3**

1.5 Check the chalk lines are square with each other. In a small area use a set square to check, but in a large area make use of the 345 method as shown below. **Refer to Fig 4.**

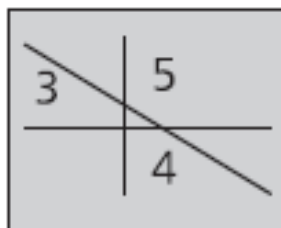


Fig 4

An Accénuate Limited Company

2. APPLYING THE ADHESIVE

2.1 Read the instructions on the drum of the adhesive.

2.2 Pour sufficient adhesive onto the sub-floor to cover a reasonable area. (If too large an area of adhesive is spread, the adhesive will dry before the tiles can be laid).

2.3 Using a (TKB – A2) notch trowel, spread the adhesive over both chalk lines leaving a part of each line uncovered at either end. The two quarters to be covered (spread) with adhesive. Once an area has been covered with the adhesive, the chalk lines must be re-marked, using the position of the line left exposed.

2.4 Spread the adhesive evenly. Do not leave bare spots, pools or overlapping ridges of adhesive. Lightly touch the spread adhesive, when no wet adhesive transfers to the fingertip, the adhesive will be ready and the flooring can be laid. This normally takes between 15 and 25 minutes depending on ambient temperatures.

2.5 Place the first tile carefully at the intersection of the two chalk lines. **Refer to Fig 5.**

2.6 Place successive tiles outwards from the first and along both chalk lines building a “castle”. Lay each tile with the “grain” (marbling) at right angles to the adjacent tile. **Refer to Fig 6 & 7.**

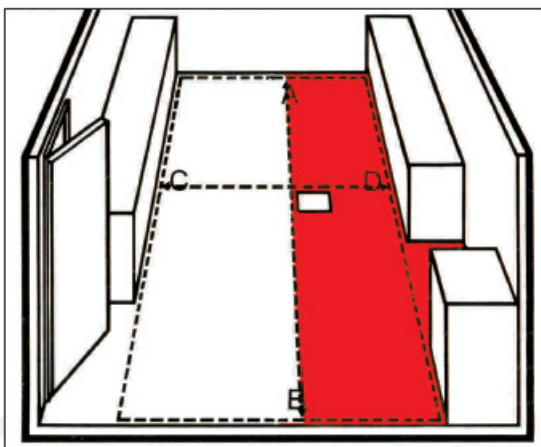


Fig 5

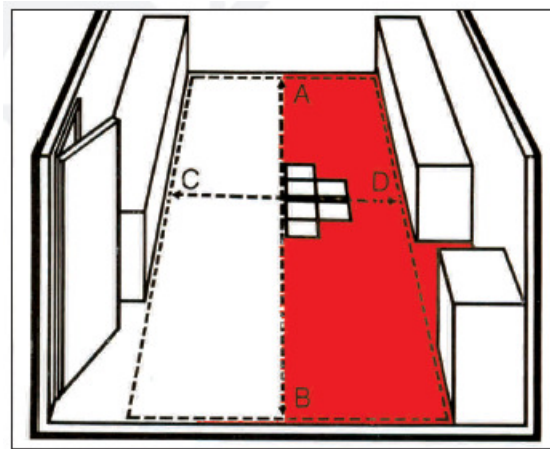


Fig 6

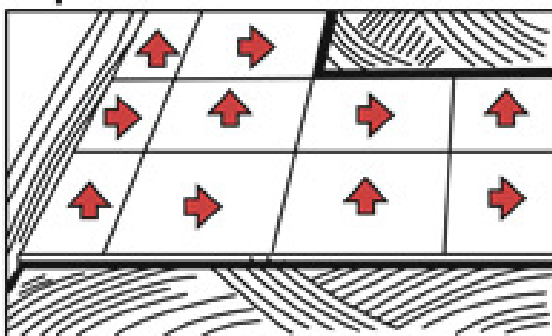


Fig 7

2.7 Ensure that the tiles’ edges are firmly butted against the adjoining tile.

2.8 Ensure that any excess adhesive is removed using a clean damp rag.

2.9 Continue laying the tiles until reaching the border where tiles must be “cut-in”.

2.10 To “cut-in” border tiles, place a tile **(A)** exactly on top of the last full tile closest to the wall, ensuring that the grain (marbling) is in the correct direction for the border tile. **Refer to Fig 7.**

2.11 Place another tile **(B)** right against the wall and on top of tile **(A)**. **Refer to Fig 8.**

2.12 Using the edge of the tile “**B**”, mark or score a line on tile **(A)**. Cut tile **(A)** along the mark and install as the border tile. **Refer to Fig 9.**

NB: When “cutting-in” border tiles, ensure that the adhesive has not dried. (The adhesive should not have been spread for more than about 45 minutes.)

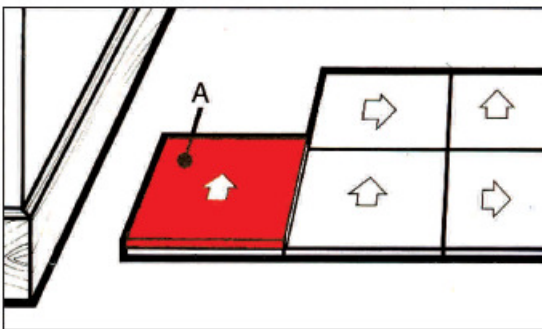


Fig 7

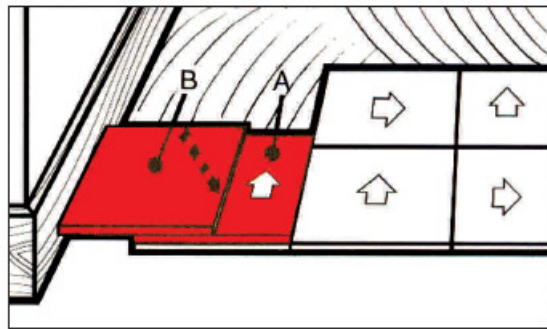


Fig 8.

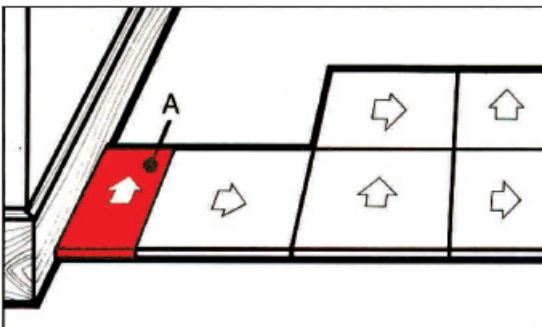


Fig 9

2.13. **Maintenance.** The completed floor should not be washed or cleaned for 48 hours after completion of the installation, to allow sufficient time for the adhesive to cure properly. This period will vary from one adhesive to another. Avoid excessive use of water at all times as this will have a detrimental effect on the adhesion of the tiles to the sub-floor and could cause the tiles to peak at the joints. It is recommended that the product is sealed with an acrylic emulsion (FloorworX Sealer) for further protection and a proper maintenance regime implemented. It may be advisable to appoint a company specialising in floor care to carry out the respective maintenance procedures.