



FLOORWORX

THE FLOORING SOLUTIONS PROVIDER

Nov 2018

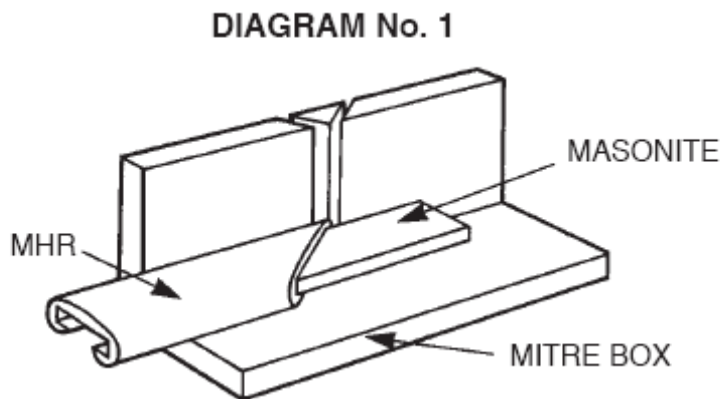
DATA SHEET NO. 104

FITTING INSTRUCTIONS FOR FLOORWORX HANDRAIL

PREPARATION

- Cut off length of handrail required allowing extra for mitres where required.
- Insert a short length of Masonite which is the same size as the inside dimensions of the handrail e.g. 40mm x 10mm. This will allow the handrail to take its true shape before cutting the mitre.

See Diagram No. 1

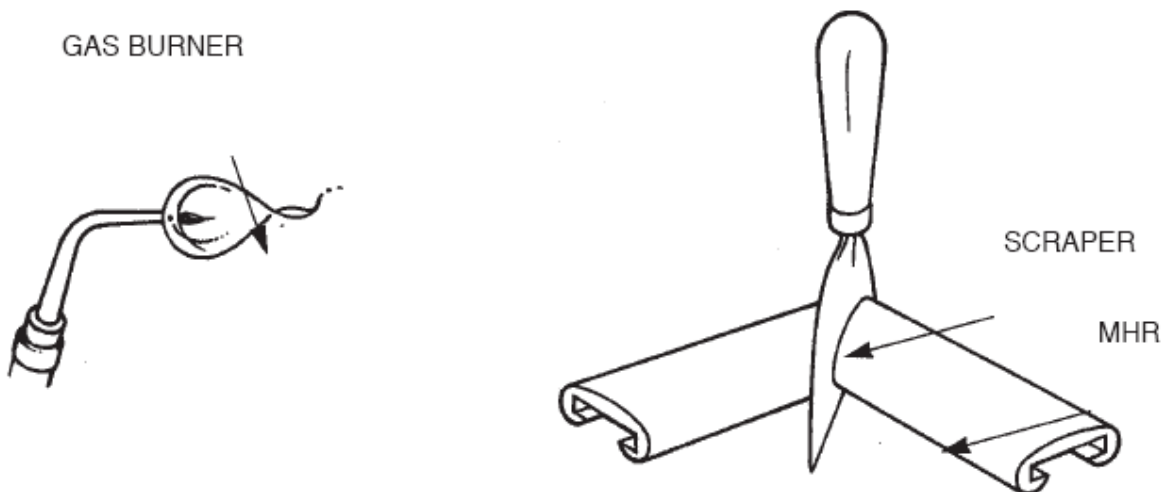


- Place the handrail into position into a mitre box and cut through both PVC handrail and Masonite strip, (see Diagram No. 1) using a fine tooth carpenter's saw.
- When the cuts have been completed use a hammer to knock the Masonite further into the recess of the handrail, approximately 4mm away from the edge which is to be fused.
- To join the two pieces of handrail you will require a gas burner, a 60mm wide paint scraper and the assistance of a fellow worker.

INSTALLATION

- Heat the metal scraper, not red hot.

See Diagram No. 2.

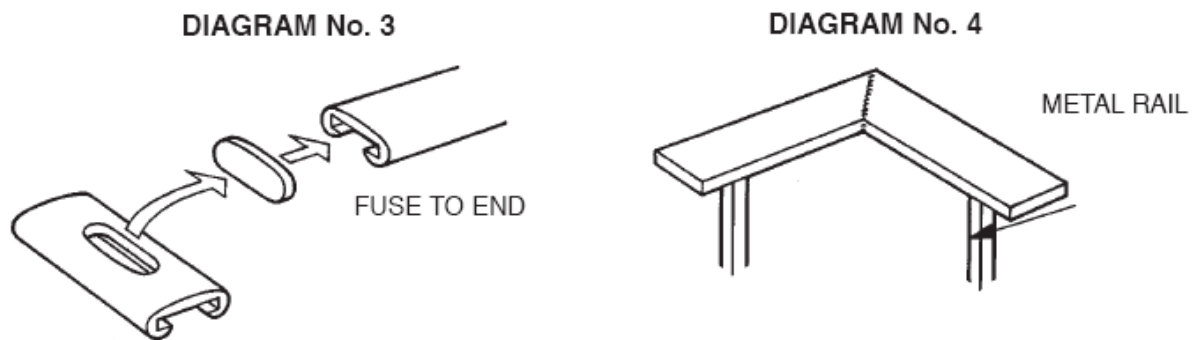


- An assistant should hold the handle of the heated scraper firmly with two hands close to his body with the heated metal part pointing away from him.
- The fitter will stand facing his assistant holding a pre-mitred piece of handrail in each hand.
- Press the mitred edges of both pieces simultaneously against either side of the heated scraper and slowly pull both pieces towards you ensuring that they line up perfectly.

IMPORTANT:- Above steps must be carried out relatively quickly before the metal scraper cools.

- When the join has been completed in this manner, remove the pieces of Masonite.
- **Note:** - All joins in FloorworX handrail are accomplished in foregoing manner whether the join is 90° or 45°.
- Fitting a stop-end at the open end of a metal handrail is done in the same way by heating the scraper and sliding between the end of the fitted PVC handrail and a piece of PVC cut from the face of FloorworX handrail.

See Diagrams No's 3 & 4.



- This piece should be cut oversize and trimmed after it has been fused to the end of the handrail. Do not forget to allow the PVC handrail at this point to overhang the metal handrail by at least 4mm.
- After all joints have been fused, the small melted bead that has formed on the face of the handrail can be carefully trimmed off using a Stanley trimming knife.

NOTE:

- After each join has been done clean the scraper thoroughly with sandpaper before doing the next join.
- To fit the PVC handrail to the metal core rail, gently heat the PVC using a gas burner.
- When the PVC handrail is soft and pliable, hook one side over and under the metal handrail.
- Use a 50mm wide bolster or chisel to lever the opposite side over the corresponding side of the metal rail.
- On completion all mitres and stop ends must be cleaned with handrail solvent. The whole installation should also be wiped clean.

DISCLAIMER

THIS INFORMATION IS BASED ON OUR EXPERTISE AND IS GIVEN IN GOOD FAITH BUT WITHOUT WARRANTY. WE CANNOT ACCEPT LIABILITY FOR ANY DAMAGE, LOSS, OR ACCIDENT CAUSED DIRECTLY OR INDIRECTLY BY THIS PRODUCT.

An Accéntuate Limited Company